



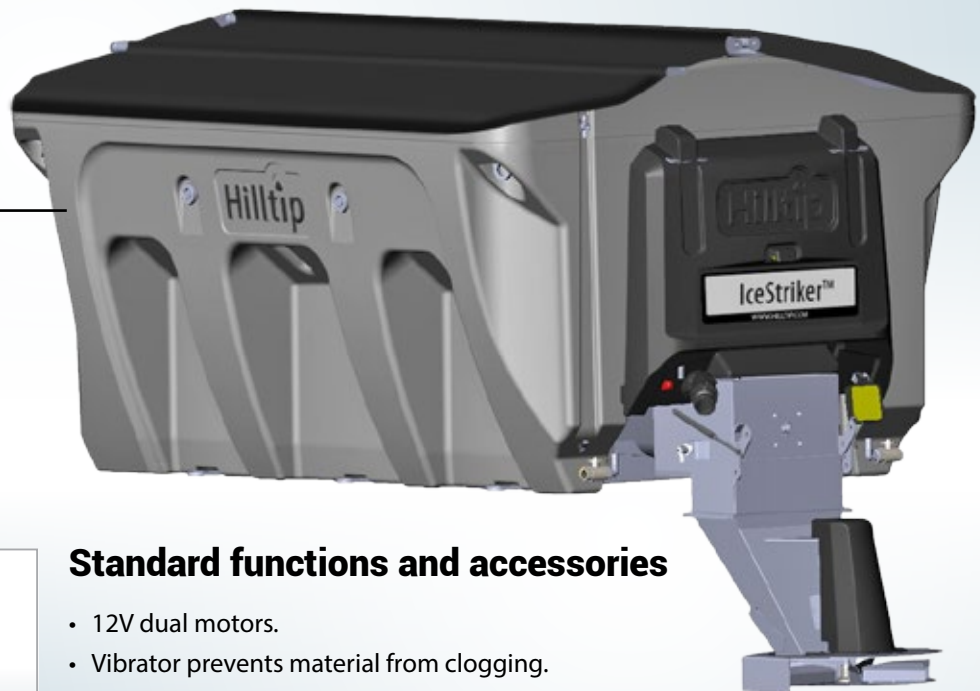
NEW!

Hilltip IceStriker™

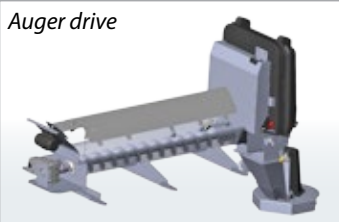
12/24V Electric poly hopper spreader, 1600-2600 liter

The new model of Hilltip IceStriker™ is an electric poly hopper spreader designed with a material capacity of 1600-2600 liter, to make your job even more effective and profitable. This spreader includes the same popular features as the smaller models that make the Hilltip IceStriker™ number one in the industry.

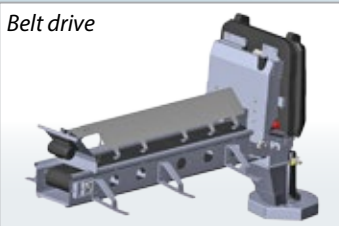
The double-walled hopper construction has got integrated tanks to transform your spreader into a liquid spreader with pre-wet and spraybar options.



Auger drive



Belt drive



Standard functions and accessories

- 12V dual motors.
- Vibrator prevents material from clogging.
- Inverted-V helps reduce heavy start-up loads on the feed mechanism.
- Two-piece tarp mechanism, prevents spill off into truck bed when filling the spreader.
- Controller with automatic GPS-speedcontrol adjusts the amount of spreading material (g/m^2) according to your vehicle speed, while manual mode lets you insert a fixed auger/conveyor speed.
- **Feed mechanism:** This Hilltip IceStriker™ model gives you the unique possibility to choose the material delivery technology you prefer; Stainless steel auger or conveyor belt.

HTrack™ tracking system

Track and manage all of your spreading devices and snowplows online on your computer, tablet or smartphone. The program shows treatment route on map, and spreading details like speed, GPS location, material used etc. The spreading data can be summarized and generated as PDF reports.

Standard controller



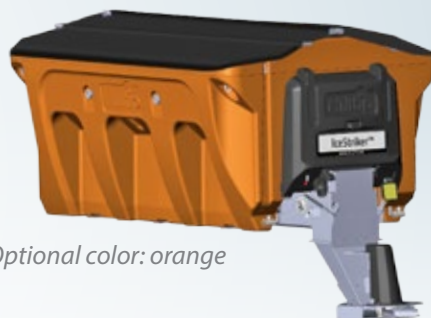
The optional HTrack™ program transfers spreading data via 3G connection

Optional functions and accessories

- LED work light.
- Strobe lights.
- Illuminated license plate kit.
- Rear and indicator lights.
- 24V motors and control system.
- Optional color: orange.
- Legstand.
- Adjustable spreading symmetry from inside the cabin.
- Extended auger/conveyor (+ 60 cm) for optimization of vehicle axle loading.

Optional liquid functions

- Pre-wet salt liquid kit, nozzles and pump with built-in tanks in spreader construction.
- 2 m wide spraybar, with up to 5 m spraying width.
- 12 m hose reel for spraying hard-to-reach areas with salt solutions or other liquids.



Optional color: orange

SPREADER SPECIFICATIONS

MODEL	1600	2100	2600
Total length (including spinner)	3000 mm	3000 mm	3000 mm
Minimum truck bed length	2100 mm	2100 mm	2100 mm
Maximum external width (with tarp mounted)	1750 mm	1750 mm	1750 mm
Total height of the hopper from the loading surface of the carrying vehicle	1250 mm	1390 mm	1550 mm
Capacity, struck	1500 l	2000 l	2500 l
Capacity, rounded	1600 l	2100 l	2600 l
Weight (empty)	260 kg	295 kg	320 kg
Hopper construction	Poly	Poly	Poly
Spreading width	1-8 m (may vary depending on material)		
Spinner size	500 mm	500 mm	500 mm
Auger diameter (stainless steel)	150 mm	150 mm	150 mm
Conveyor width	300 mm	300 mm	300 mm
Material	Salt, Sand, Granulat/Mixed		
Vehicle	3,5-10 ton trucks		

LIQUID SYSTEM (OPTIONAL)

MODEL	1600	2100	2600
Pre-wet, Spray volume	3-12 l/min	3-12 l/min	3-12 l/min
Spraybar, Spray volume	5-25 l/min	5-25 l/min	5-25 l/min
Pre-wet, Spraying width	1-8 m (together with spreading material)		
Spray bar, Spraying width	2-5 m	2-5 m	2-5 m
Pre-wet, liquid tank capacity	900 l	900 l	900 l
Spray bar, liquid tank capacity	900 - 2200* l	900 - 2200* l	900 - 2200* l
Spraying material	Anti- and deicing liquids, water. **		

* With optional bladder tank inside for spray bar system

** Do not use flammable or petroleum liquids for the liquid system